

CRL6K

6" Capri Recessed LED Retrofit Remodel

Catalog Number: _____

Type: _____

Project: _____



The Capri CRL6K Retrofit LED Series provides the latest in LED technology in an easy to install module that mounts into a variety of Capri 6" recessed housings in minutes. The all-in-one unit comes complete with a medium base socket adapter that screws into the existing incandescent socket. cETL listed and suitable for use in IC and non-IC applications.

Features

- Energy-saving, long life LED technology produces lumens approximately equal to a 65W BR30 lamp.
- Energy efficient - Consumes only 14 watts of energy.
- Long life LEDs designed to perform up to 50,000 hours with 70% lumen maintenance.
- LED module mounts easily with torsion springs into incandescent housings and screws into existing medium base sockets with provided adapter.
- Wide selection of finishing trims, reflectors and baffles, in a variety of finishes to complement any decor.
- Frosted lens provides soft comfortable light.
- Dimmable with AC line dimmers.
- cETL listed for IC and non-IC applications.

CATALOG SYSTEM AND OPTIONS

SAMPLE CATALOG NUMBER: CRL6K-14-30K-CRL6R-CLR

HOUSING	WATTAGE	COLOR TEMPERATURE	VOLTAGE	REFLECTOR	STYLE	REFLECTOR
CRL6K	- 14	- 30K		CRL6		
CRL6K	14	30K	BLANK	CRL6	R	WHT
6" LED Retrofit Kit	14 watt	3000 Kelvin	120 Volt	6" LED Retrofit Trim Insert	6" Reflector Baffle	White Black Clear Gold



Footnotes:

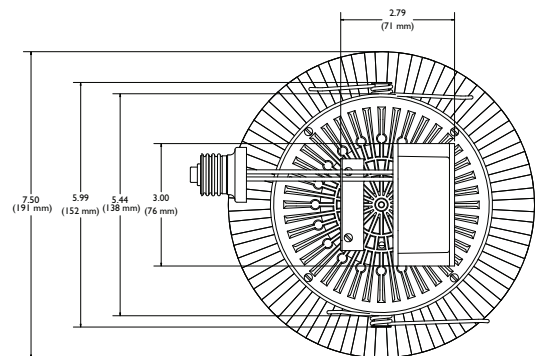
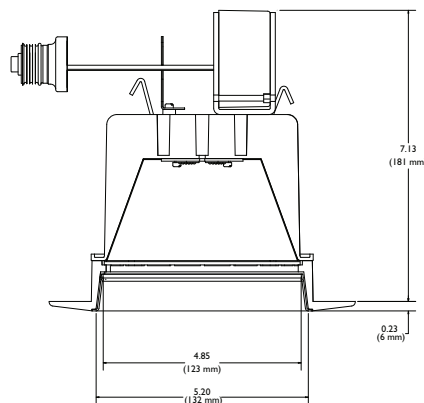
1. Baffle available in white or black only.

SPECIFICATIONS

- Die-Cast Heat Sink** - Large, yet lightweight die-cast aluminum heat sink helps dissipate heat generated by LEDs to ensure long LED life; up to 50,000 hours with 70% lumen maintenance.
- Lower Trim Casting** - Die-cast aluminum lower trim assembly works in conjunction with the die-cast heat sink to help dissipate heat.
- LED Module** - Unique 4-cluster LED module with ceramic board provides light output comparable to a 65W BR30 lamp. Available in 3000K CCT.
- LED Driver** - High efficiency, UL1310 class 2 driver is fully potted and dimmable with a typical AC line dimmer. See dimming chart for compatible dimming systems.

- Mixing Chamber** - Deep mixing chamber is lined with Miro™ 5 optical material for maximum brightness and efficiency.
- Lens** - Frosted lens works in conjunction with the mixing chamber to deliver high brightness while minimizing glare to provide comfortable, quality illumination.
- Socket Bracket** - convenient bracket to mount existing incandescent bracket.
- Finishing Trims** - A variety of trims snap into the trim casting for a wide choice of appealing looks. Available in smooth reflectors or baffles in clear, gold, white, or black finishes.
- c/ETL listed** for Damp Locations and Through Branch Circuit Wiring, 4 in/4 out.

DIMENSIONS



REV. 05/10



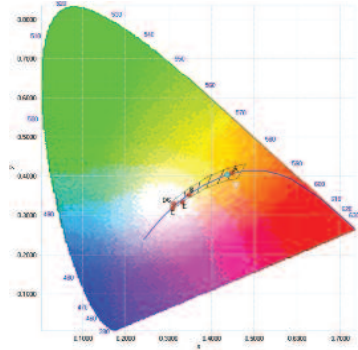
PHILIPS CAPRI
776 South Green St., Tupelo, MS 38804
Phone 662.842.7212 FAX 662.841.5501
www.caprilighting.com

PHILIPS DAY-BRITE CANADA
189 Bullock Drive, Markham, Ontario, Canada L3P 1W4
Phone 905.294.9570 FAX 800.268.0003
www.thomaslightingcanada.com

RC5-0

CRL6K-14-30K WITH CRL6R-WHT TRIM

Report number: 18312
 Lamp: (1) FOUR CLUSTERS OF 12 WHITE LEDS
 S/MH Ratio (0 degree plane): 0.9
 (90 degree plane): 0.9
 Total Fixture Lumens: 648
 IES file: LTL18312.IES
 Beam Angle: 61.89
 CCT: 2989
 CRI: 82.0



DISTRIBUTION CURVE

DEGREES	CANDELA		FOOT-LAMBERTS
	AT 0°	AT 90°	
90	0	0	
85	3	3	739
75	13	13	1120
65	31	31	1666
55	62	62	2491
45	118	118	3848
35	211	211	
25	328	328	
15	440	440	
5	505	505	
0	514	514	

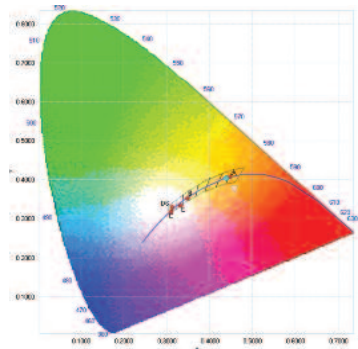
ZONAL LUMEN SUMMARY

ZONE	LUMENS	% of LUMINAIRE
0-30	320.0	49.4%
0-40	451.7	69.7%
0-60	599.9	92.6%
0-90	647.6	100.0%
90-180	0.0	0.0%
0-180	647.6	100.0%

Total lumen Output 647.6 Lumens
 Luminaire efficacy: 46.6 Lumens per Watt
 CIE Type: Direct
 Spacing Criterion: 0.89

CRL6K-14-30K WITH CRL6R-BLK TRIM

Report number: 18314
 Lamp: (1)FOUR CLUSTERS OF 12 WHITE LEDS
 S/MH Ratio (0 degree plane): 0.9
 (90 degree plane): 0.9
 Total Fixture Lumens: 580
 IES file: LTL18314.ies
 Beam Angle: 60.71
 CCT: 2982
 CRI: 82.2



DISTRIBUTION CURVE

DEGREES	CANDELA		FOOT-LAMBERTS
	AT 0°	AT 90°	
90	0	0	
85	0	0	0
75	2	2	187
65	18	18	974
55	49	49	1949
45	105	105	3406
35	198	198	
25	316	316	
15	428	428	
5	494	494	
0	502	502	

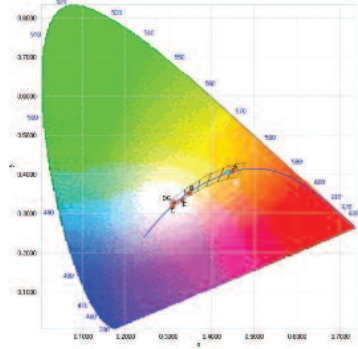
ZONAL LUMEN SUMMARY

ZONE	LUMENS	% of LUMINAIRE
0-30	310.0	53.5%
0-40	433.4	74.7%
0-60	559.0	96.4%
0-90	579.9	100.0%
90-180	0.0	0.0%
0-180	579.9	100.0%

Total lumen Output 579.9 Lumens
 Luminaire efficacy: 48.1 Lumens per Watt
 CIE Type: Direct
 Spacing Criterion: 0.89

CRL6K-14-30K WITH CRL6R-GLD TRIM

Report number: 18316
 Lamp: (1)FOUR CLUSTERS OF 12 WHITE LEDS
 S/MH Ratio (0 degree plane): 0.9
 (90 degree plane): 0.9
 Total Fixture Lumens: 646
 IES file: LTL18316.IES
 Beam Angle: 63.44
 CCT: 2977
 CRI: 82.4



DISTRIBUTION CURVE

DEGREES	CANDELA		FOOT-LAMBERTS
	AT 0°	AT 90°	
90	0	0	
85	0	0	0
75	5	5	462
65	26	26	1432
55	62	62	2486
45	123	123	3985
35	219	219	
25	337	337	
15	445	445	
5	506	506	
0	513	513	

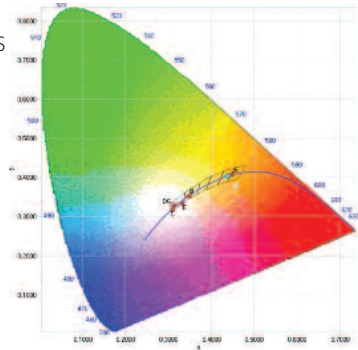
ZONAL LUMEN SUMMARY

ZONE	LUMENS	% of LUMINAIRE
0-30	325.6	50.4%
0-40	462.1	71.5%
0-60	613.4	95.0%
0-90	645.9	100.0%
90-180	0.0	0.0%
0-180	645.9	100.0%

Total lumen Output 645.9 Lumens
 Luminaire efficacy: 46.4 Lumens per Watt
 CIE Type: Direct
 Spacing Criterion: 0.92

CRL6K-14-30K WITH CRL6R-CLR TRIM

Report number: 18318
 Lamp: (1) FOUR CLUSTERS OF 12 WHITE LEDS
 S/MH Ratio (0 degree plane): 0.9
 (90 degree plane): 0.9
 Total Fixture Lumens: 669
 IES file: LTL18318.IES
 CCT: 2991
 CRI: 82.1



DISTRIBUTION CURVE

DEGREES	CANDELA		FOOT-LAMBERTS
	AT 0°	AT 90°	
90	0	0	
85	0	0	0
75	7	7	631
65	30	30	1606
55	66	66	2659
45	128	128	4174
35	226	226	
25	344	344	
15	451	451	
5	511	511	
0	519	519	

ZONAL LUMEN SUMMARY

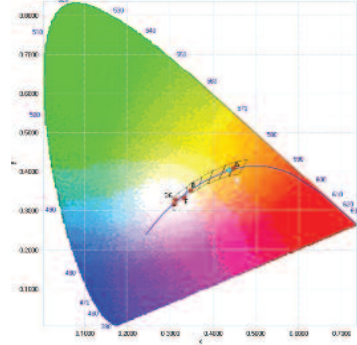
ZONE	LUMENS	% of LUMINAIRE
0-30	331.0	49.5%
0-40	471.9	70.5%
0-60	631.5	94.4%
0-90	669.1	100.0%
90-180	0.0	0.0%
0-180	669.1	100.0%

Total lumen Output 669.1 Lumens
 Luminaire efficacy: 48.1 Lumens per Watt
 CIE Type: Direct
 Spacing Criterion: 0.92

REV. 05/10

CRL6K-14-30K WITH CRL6B-WHT BAFFLE

Report number: 18320
 Lamp: (1)FOUR CLUSTERS OF 12 WHITE LEDS
 S/MH Ratio: (0 degree plane): 0.9
 (90 degree plane): 0.9
 Total Fixture Lumens: 642
 IES file: LTL18320.IES
 Beam Angle: 62.02
 CCT: 2990
 CRI: 82.0



DISTRIBUTION CURVE

DEGREES	CANDELA		FOOT-LAMBERTS
	AT 0°	AT 90°	
90	0	0	
85	3	3	739
75	12	12	1102
65	30	30	1655
55	62	62	2474
45	118	118	3822
35	209	209	
25	325	325	
15	434	434	
5	499	499	
0	508	508	

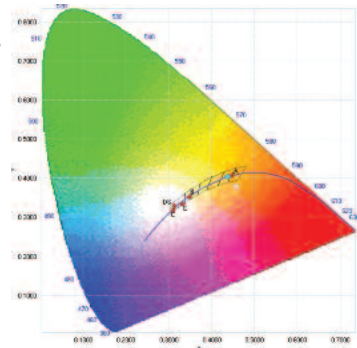
ZONAL LUMEN SUMMARY

ZONE	LUMENS	% of LUMINAIRE
0-30	316.6	49.3%
0-40	447.1	69.7%
0-60	594.4	92.6%
0-90	641.7	100.0%
90-180	0.0	0.0%
0-180	641.7	100.0%

Total lumen Output 641.7 Lumens
 Luminaire efficacy: 46.1 Lumens per Watt
 CIE Type: Direct
 Spacing Criterion: 0.90

CRL6K-14-30K WITH CRL6B-BLK BAFFLE

Report number: 18322
 Lamp: (1) FOUR CLUSTERS OF 12 WHITE LEDS
 S/MH Ratio: (0 degree plane): 0.9
 (90 degree plane): 0.9
 Total Fixture Lumens: 576
 IES file: LTL18322.IES
 Beam Angle: 60.80
 CCT: 2984
 CRI: 82.2



DISTRIBUTION CURVE

DEGREES	CANDELA		FOOT-LAMBERTS
	AT 0°	AT 90°	
90	0	0	
85	0	0	0
75	2	2	213
65	18	18	974
55	48	48	1941
45	104	104	3396
35	196	196	
25	313	313	
15	424	424	
5	489	489	
0	498	498	

ZONAL LUMEN SUMMARY

ZONE	LUMENS	% of LUMINAIRE
0-30	307.3	53.3%
0-40	429.9	74.6%
0-60	555.1	96.3%
0-90	576.3	100.0%
90-180	0.0	0.0%
0-180	576.3	100.0%

Total lumen Output 576.3 Lumens
 Luminaire efficacy: 41.4 Lumens per Watt
 CIE Type: Direct
 Spacing Criterion: 0.89

Recommended Dimmers for CRL6K-14-30K

Electronic Low Voltage Dimmers
 Trailing Edge Dimmers (Reverse Phase Dimmers)

Lutron

Skylark®
 SELV-300P 300 Watt Single pole
 SELV-303P 300 Watt 3-Way

Diva®
 DVELV-300P 300 Watt Single pole
 DVELV-303P 300 Watt Single pole

Maestro®
 MAELV-600 600 Watt Single pole

Nova T®
 NELV-300 300 Watt Single pole
 NELV-450 450 Watt Single pole
 NELV-600 600 Watt Single pole

Interface®
 ELVI-1000 1000 Watt Single pole

Leviton

Sureslide®
 R02-06615-P0W 600 Watt Single pole
 R02-06615-P0W 600 Watt 3-way

Vizia®
 VZE06-1LZ 600 Watt Single pole
 VZE06-1LZ 600 Watt 3-way

Acenti Ace®
 06-ILVV

Illumatech®
 IPE04

Acceptable Dimmers for CRL6K-14-30K (see notes)

Incandescent Line Voltage Dimmers
 Leading Edge Dimmers

Lutron

Ceana™
 CN-600PHW-WH 600 Watt Single Pole
 CN-603PHW-WH 600 Watt 3-way
Luméa™
 LG-603PGH-WH 600 Watt Single Pole or 3-way

Skylark®
 S-600H-WH 600 Watt Single Pole

Leviton

Rotary®
 CI-C20-06681-12A 600 Watt Single Pole

Decora®
 CI-R58-06631-12A 600 Watt Single Pole
 CI-R50-IP106-12A 600 Watt Single Pole
 CI-R58-06633-12A 600 Watt Single Pole

Notes:

1. Some incandescent dimmers tested, and considered acceptable, may display flickering at various points throughout its dimming range. Actual results may vary.
2. If incandescent dimming provides unacceptable results, please refer to the Approved List of ELV dimmers.
3. Philips Capri suggests a minimum of four (4) CRL6K modules per dimming circuit. Do not overload the maximum wattage capacity of any dimmer.
4. Lutron and Leviton, and their product brand names, are registered trademarks.